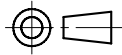


# Orbray



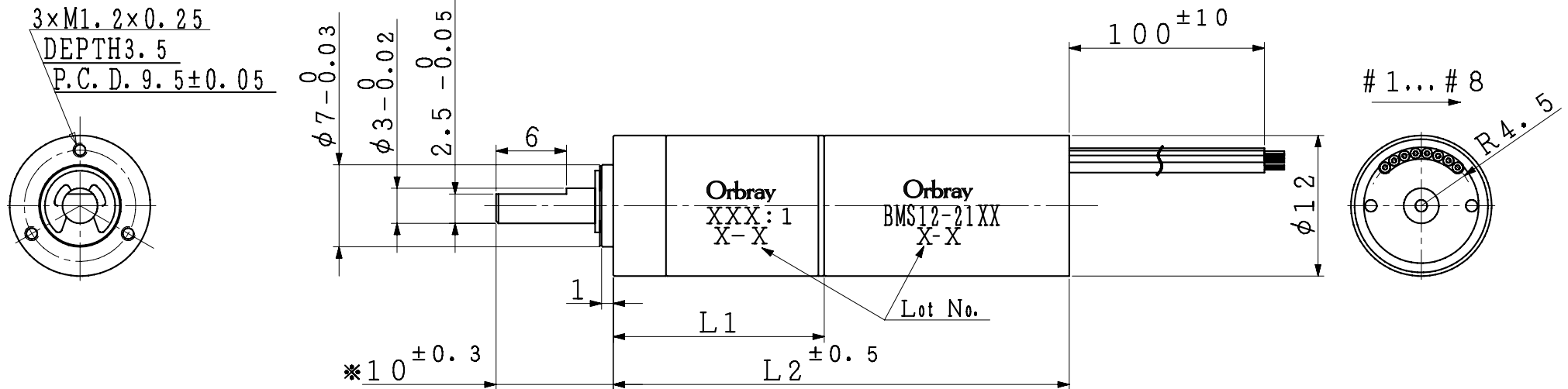
## Explanation of output alignment

line of hall element The coil terminal

No	Sym	Color	No	Sym	Color
#1	U	Gray	#5	GND	Blue
#2	V	Brown	#6	Hu	White
#3	W	Yellow	#7	Hv	Black
#4	Vdd	Orange	#8	Hw	Red

## MOTOR LENGTH

GEAR RATIO	L1	L2
3.5	14.2	35.2
4.8	14.2	35.2
12	18	39
23	18	39
58	21.8	42.8
107	21.8	42.8
509	25.7	46.7



NOTE 1) MARKED(\*) IS OUTPUT SHAFT LENGTH MEASURED WHEN IT IS PUSHED TO MOTOR SIDE.  
\*印寸法は出力軸をモータ側に押しつけた時の値を示す。

2) LOT NO.  
EXAMPLE) JANUARY, 2018  
[18-A]

JANUARY: A, FEBRUARY: B... DECEMBER: L  
1月: A, 2月: B... 12月: L  
[ - ] : MADE IN THAILAND  
[ - ] 有り : 海外工場生産  
[ - ] NONE : MADE IN JAPAN  
[ - ] 無し : 国内工場生産  
THE END TWO DIGIT OF CHRISTIAN YEAR  
西暦年数末尾数字2桁

3) THE LEAD WIRE IS AWG28 UL3302.  
リード線はAWG28 UL3302を使用する。  
4) OUTSIDE DIAMETER IS NOT APPLIED TO THE CAULKING.  
外径寸法公差はカシメ部を除く。  
5) 3xM1.2 AND LEAD WIRE DRAWING POSITIONS ARE OUT OF DIMENSIONAL CONTROL.  
3xM1.2とリード線引き出し角度は寸法管理外とする。

TOLERANCE				△	×				
DIMENSION (±)				△	×				
	0	1	2	3	±1°				
L ≤ 6	0.05	0.1	0.1	0.2					
6 < L ≤ 30	0.1	0.1	0.2	0.3					
30 < L ≤ 120	0.15	0.2	0.3	0.4					
120 < L	0.2	0.3	0.5	1.2					
MATERIAL	FINISH	QTY.	SCALE	DATE	NOTE	DRW.	CHK.	APPD.	
			2/1						
			UNIT	TYPE	TITLE				
			1/1mm		BMS12-21P				
			DWG. NO.	REF. NO.	CHK. NO.	REMARK			